



# 3 DRAWER TRANSITIONAL DRESSER

## TRANSITIONAL 3 DRAWER DRESSER ASSEMBLY INSTRUCTIONS



Love us . . . leave a review!

THIS INSTRUCTION BOOKLET CONTAINS IMPORTANT SAFETY INFORMATION.  
PLEASE READ AND KEEP FOR FUTURE REFERENCE.  
READ INSTRUCTIONS CAREFULLY BEFORE ASSEMBLY.



Manufactured by:  
Kolcraft Enterprises, Inc.  
1100 W Monroe St  
Chicago, IL 60607  
(800) 453-7673  
www.kolcraft.com

Model #: KQ001  
Q013-R9 06/2020

Record manufacturing date and lot number  
from product label here:

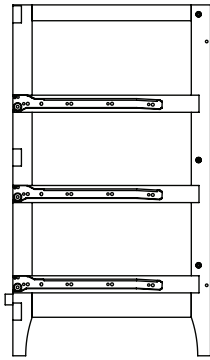
## Care and Maintenance

- After completing assembly, check that all bolts and screws are secure and tight. Hardware can become loose over time, so it is your responsibility to periodically check the tightness of all fasteners as long as you use the nursery furniture.
- After completing assembly, use the provided wall mounting kit to secure your dresser to the wall.
- Wood is a natural material and as such it can be affected by changes in temperature and humidity. Extreme changes in humidity and temperature can cause the wood to warp, swell, crack or shrink, thus compromising the structural integrity of the furniture and making it dangerous to use.
- Furniture should always be stored indoors in climate controlled, dry locations. Use care when using a vaporizer or humidifier around the furniture. Do not aim the vapor at the crib or any other wooden furniture in the nursery. Avoid using vaporizers or humidifiers for extended periods of time.
- To clean the furniture, wipe with a damp cloth and immediately dry the surface. Do not use any chemical cleaners or polishes. Such products can leave a residue on the finish and come in contact with your child.
- Your furniture has a durable and protective non-toxic finish, however if you decide to refinish it, you must use a non-toxic finish specified for children's products. Do not use any toxic stripping methods to remove the old finish.
- Please refer to your furniture's instruction manual for proper assembly. Instruction manuals can be downloaded from [ContoursBaby.com](http://ContoursBaby.com).

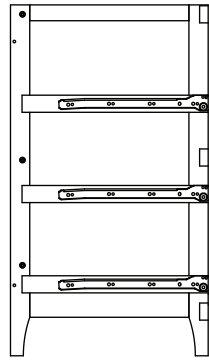
<b>! WARNING</b>	
	<p><b>Children have died from furniture tipover. To reduce the risk of furniture tipover:</b></p> <ul style="list-style-type: none"><li>• ALWAYS install tipover restraint provided.</li><li>• NEVER put a TV on this product.</li><li>• NEVER allow children to stand, climb or hang on drawers, doors, or shelves.</li><li>• NEVER open more than one drawer at a time.</li><li>• Place heaviest items in the lowest drawers.</li></ul>
	<p><i>This is a permanent label. Do not remove!</i></p>

# PARTS LIST

**A** Left Side



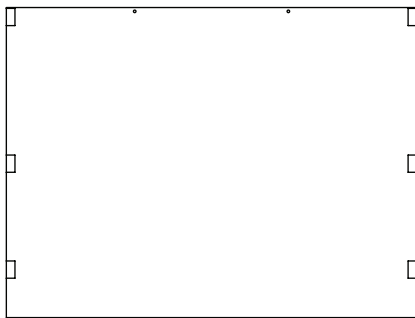
**B** Right Side



**F** Drawer Front x3



**C** Back



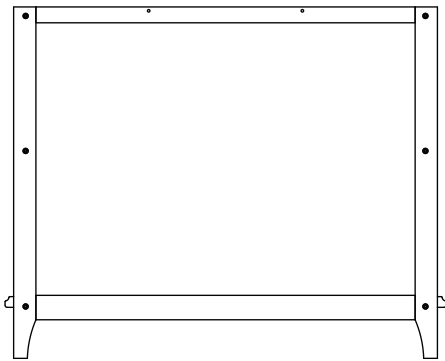
**G** Left Drawer Side x3



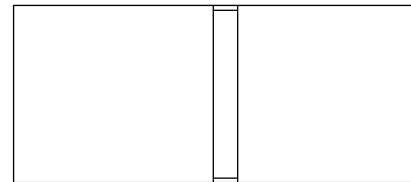
**H** Right Drawer Side x3



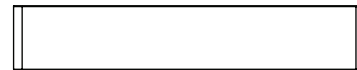
**D** Face Frame



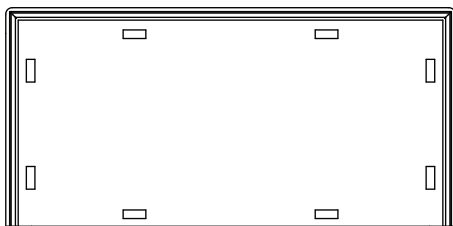
**I** Drawer Bottom x3



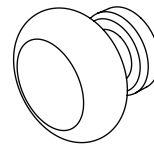
**J** Drawer Back x3



**E** Top



**K** Drawer Knob x6

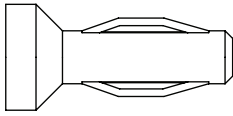


**L** Drawer Knob Screw x6

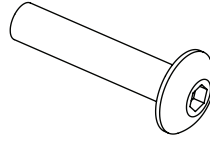


# HARDWARE

**M** Plastic Pin x8



**N** Allen Screw x13



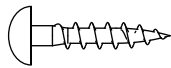
**O** Flat Washer x13



**P** Spring Washer x13



**Q** Wood Screw x24



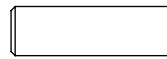
**R** Allen Wrench



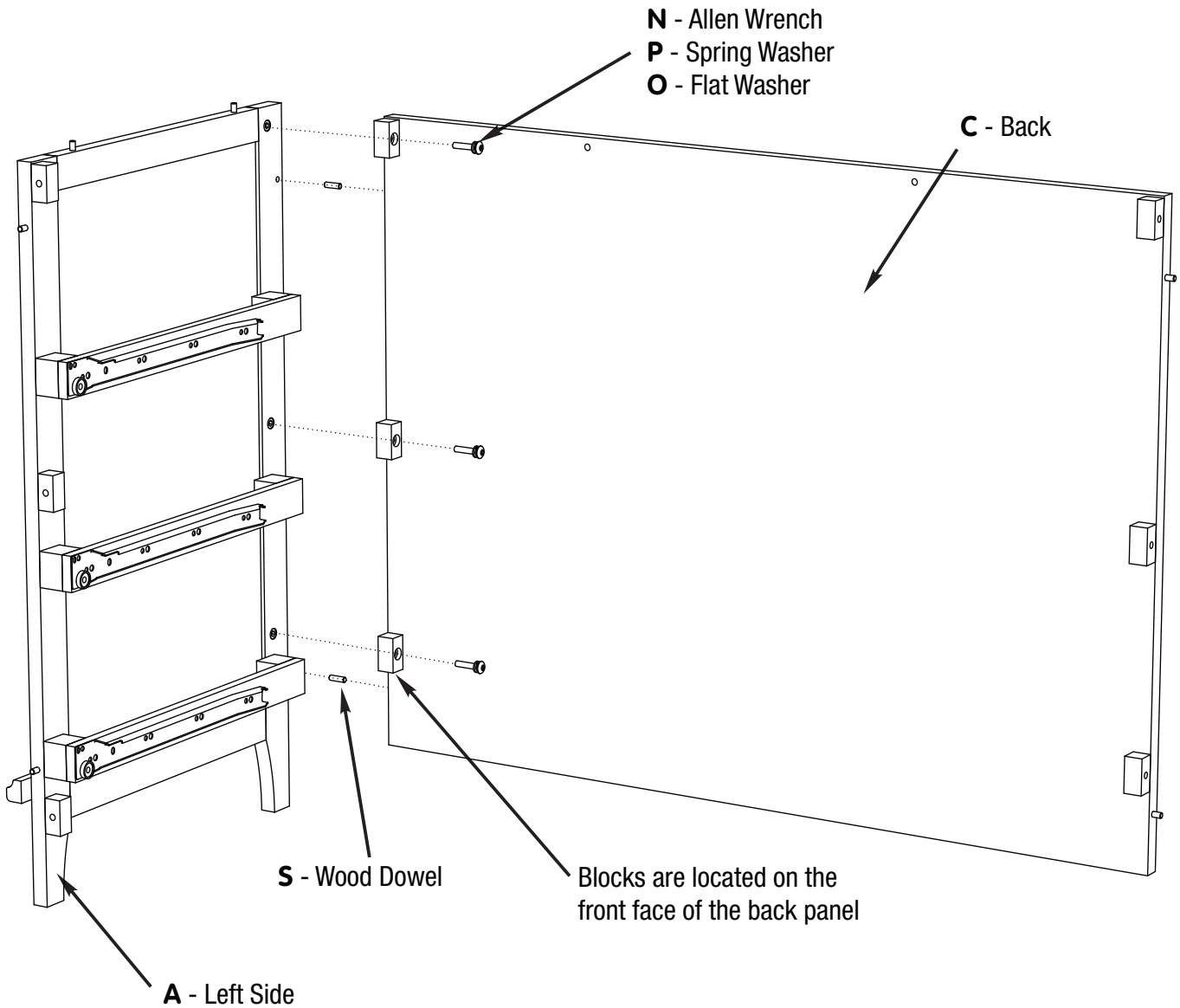
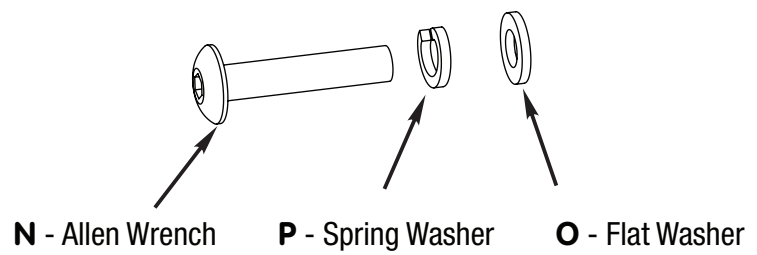
**S** 5/16" (8mm) Wood Dowels (Dresser) x12



**T** 1/4" (6mm) Wood Dowels (Drawers) x12



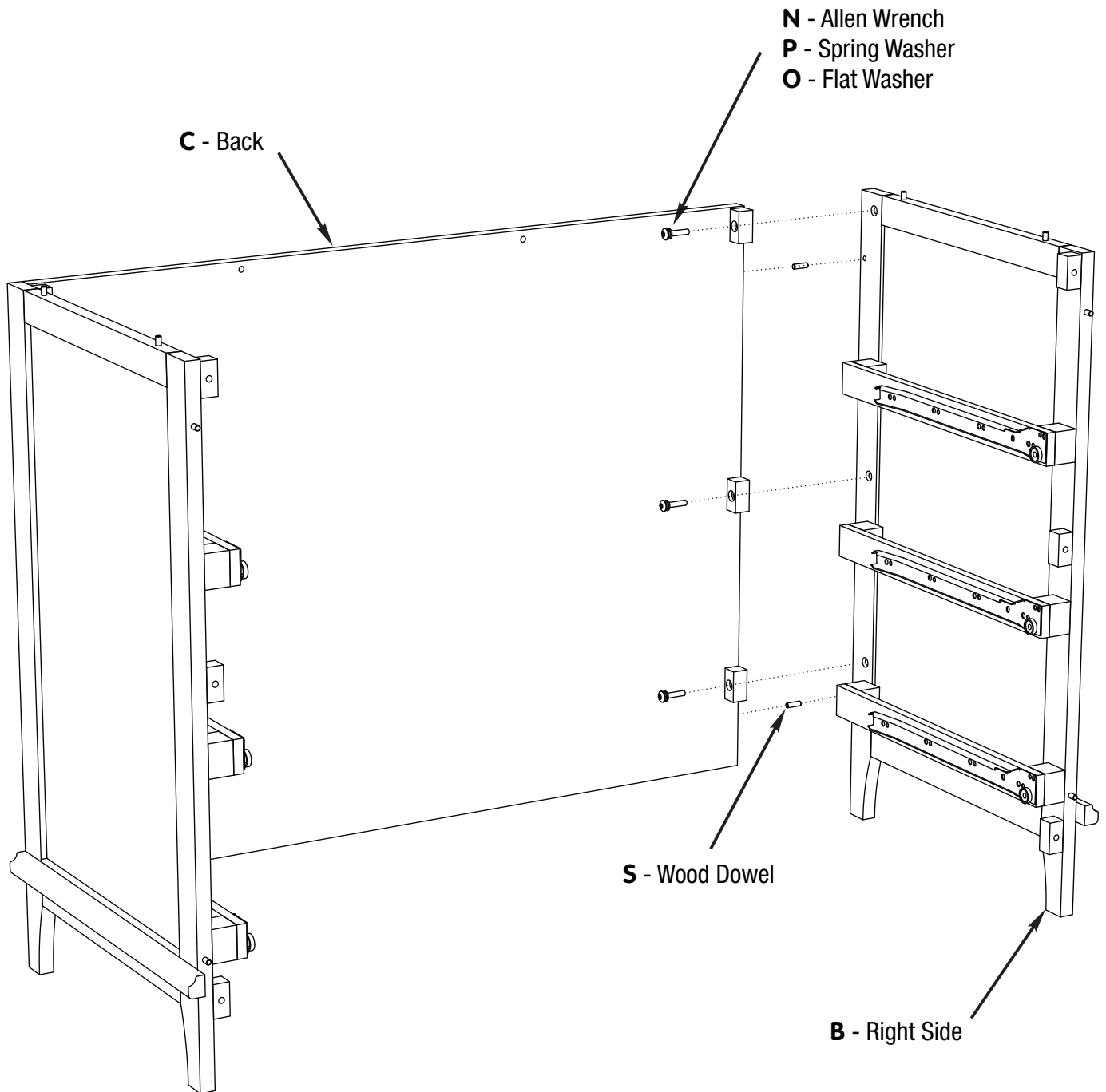
Wherever an Allen Screw is used, the Spring Washer and Flat Washer should be added in this order:



## Step 1:

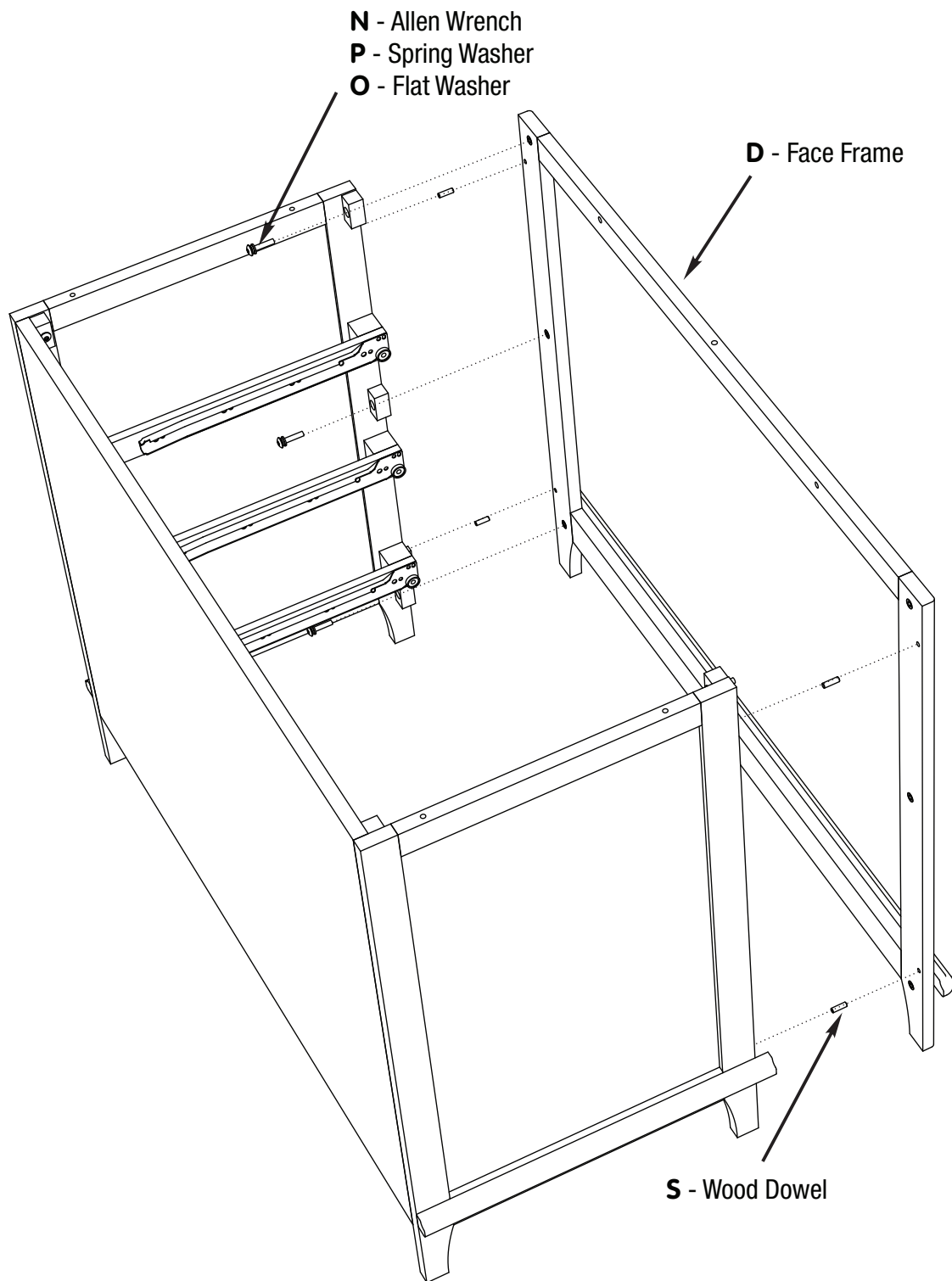
To prevent scratching, assembly on carpet or another soft surface is recommended.

- A. Insert the **Wood Dowels (S)** into the holes on the edge of the **Back (C)**
- B. Align the dowels with the matching holes on the **Left Side (A)** and slide them together.
- C. Add a **Spring Washer (P)**, then a **Flat Washer (O)**, to an **Allen Screw (N)**, and thread the screw into the hole. Tighten securely with the **Allen Wrench (R)**
- D. Repeat for the other two holes.



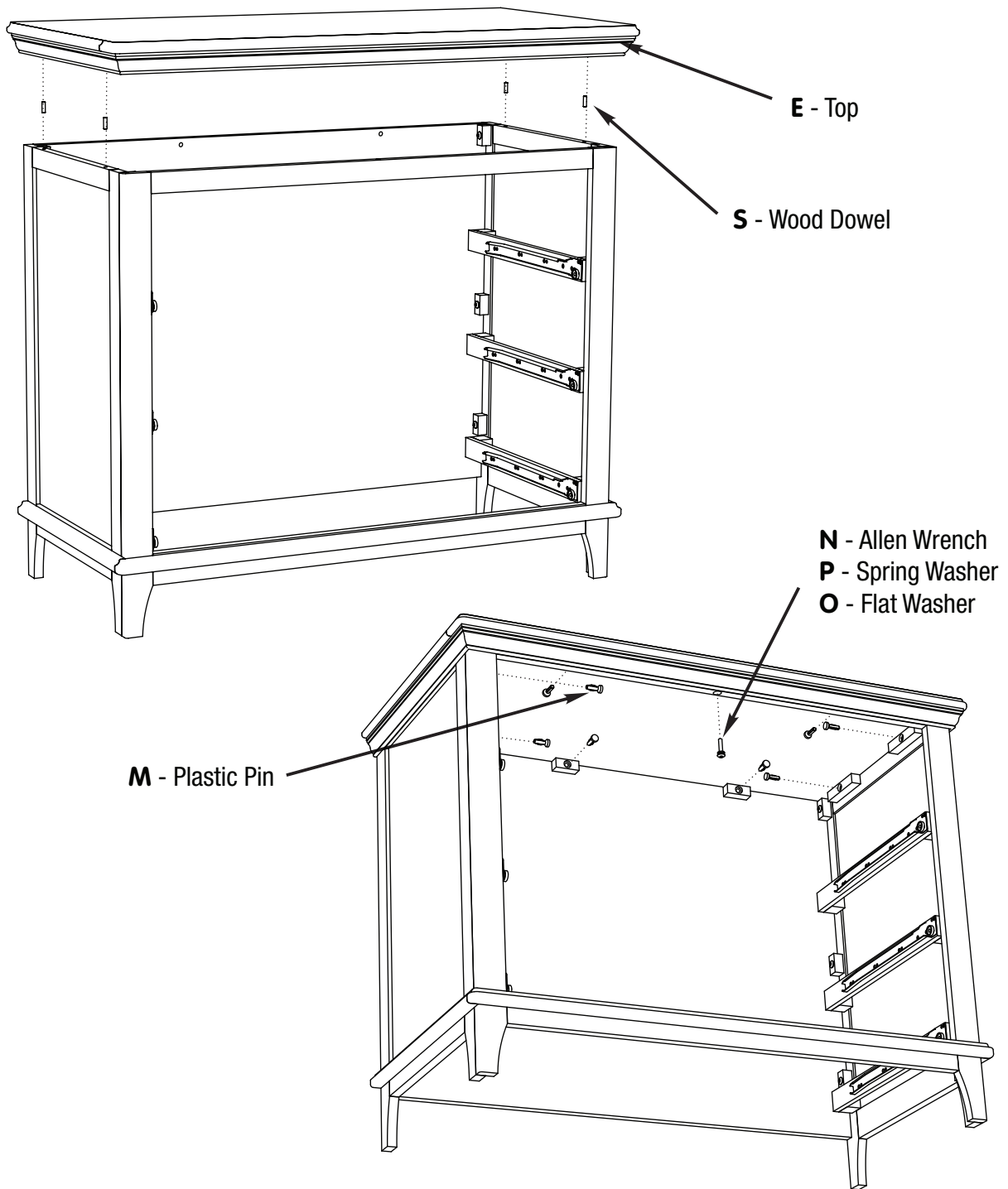
## Step 2:

- A. Insert the **Wood Dowels (S)** into the holes on the edge of the **Back (C)**
- B. Align the dowels with the matching holes on the **Right Side (B)** and slide them together.
- C. Add a **Spring Washer (P)**, then a **Flat Washer (O)**, to an **Allen Screw (N)**, and thread the screw into the hole. Tighten securely with the **Allen Wrench (R)**
- D. Repeat for the other two holes.



### Step 3:

- A. Insert the **Wood Dowels (S)** into the holes in the **Face Frame (D)**
- B. Align the dowels with the matching holes in the sides and slide them together.
- C. Add a **Spring Washer (P)**, then a **Flat Washer (O)**, to an **Allen Screw (N)**, and thread the screw into the hole. Tighten securely with the **Allen Wrench (R)**
- D. Repeat for the other two holes, then repeat for the three others on the other side.

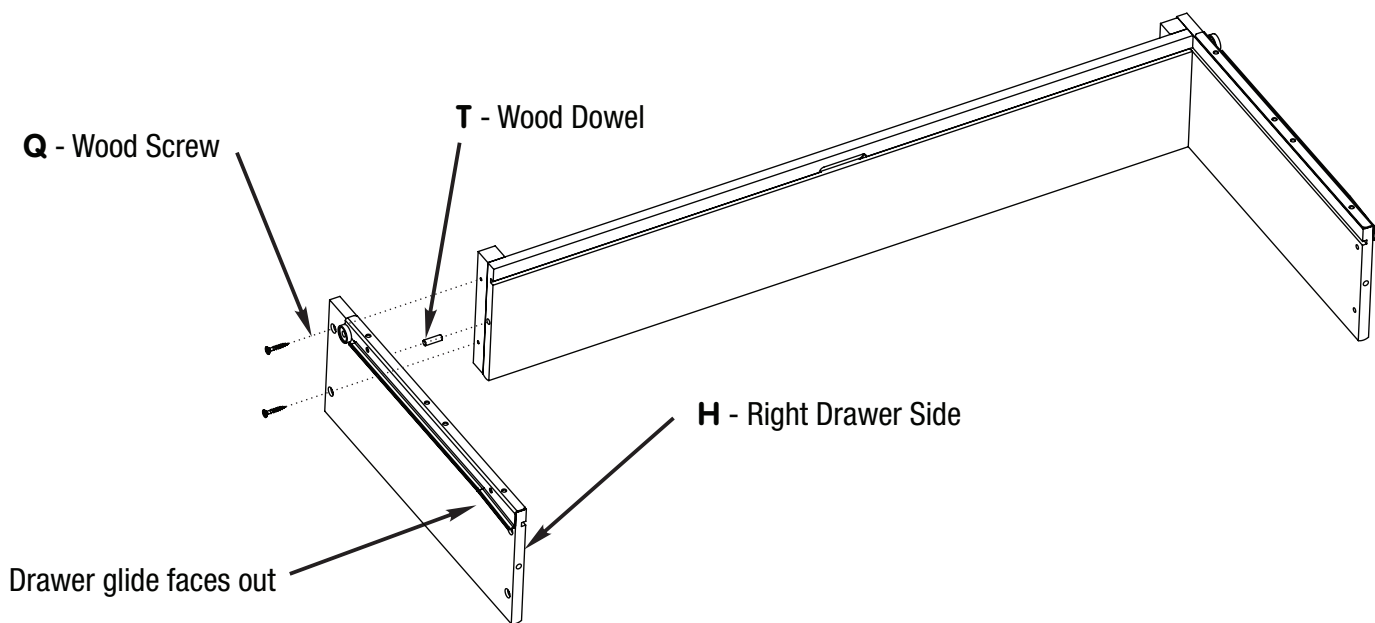
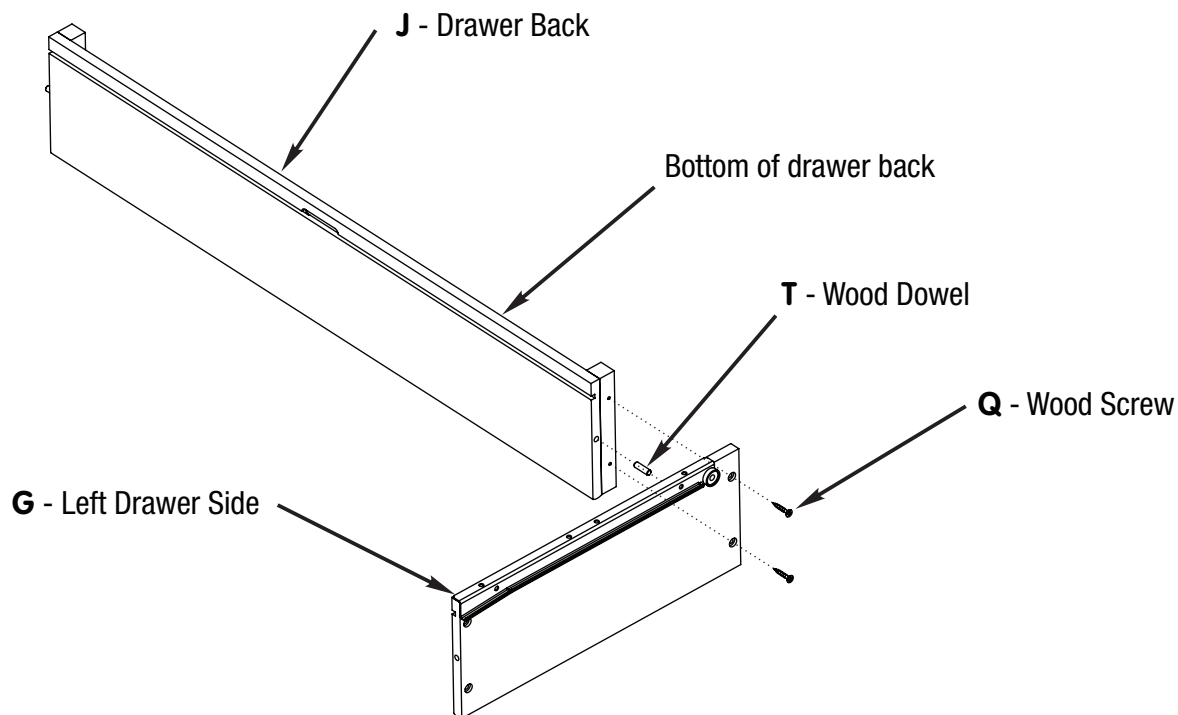


## Step 4:

- A. Insert the **Wood Dowels (S)** into the holes in the top of the sides, then align the **Top (E)** with the dowels and slide it down.
- B. Reach in and press a **Plastic Pin (M)** into each hole to secure the connection. There are eight holes in total.
- C. Tap the plastic pins into place with a mallet until fully seated (the pins may not be flush when fully inserted).
- D. Add a **Spring Washer (P)**, then a **Flat Washer (O)**, to an **Allen Screw (N)**, and thread the screw into the hole. Tighten securely with the **Allen Wrench (R)**

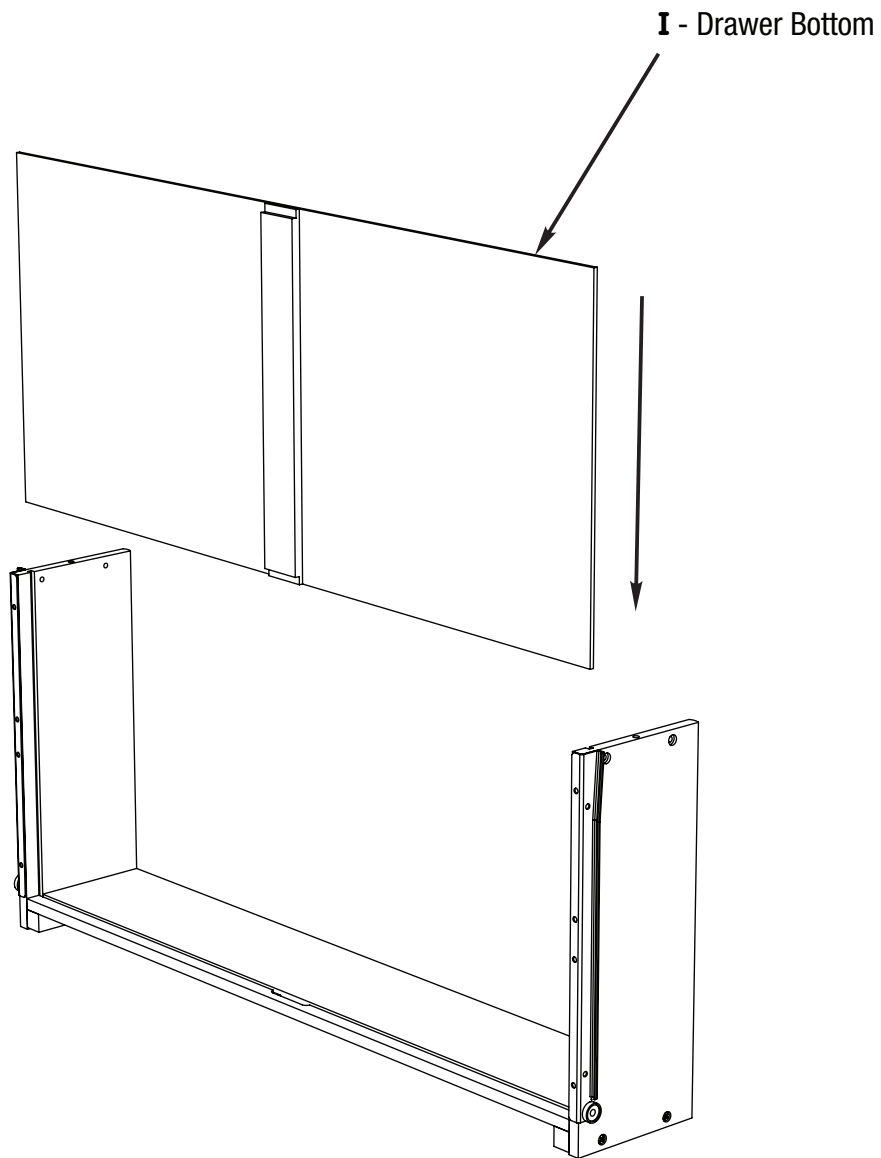
**Step 5:** Attach the wall restraint according to the instructions in the bag.





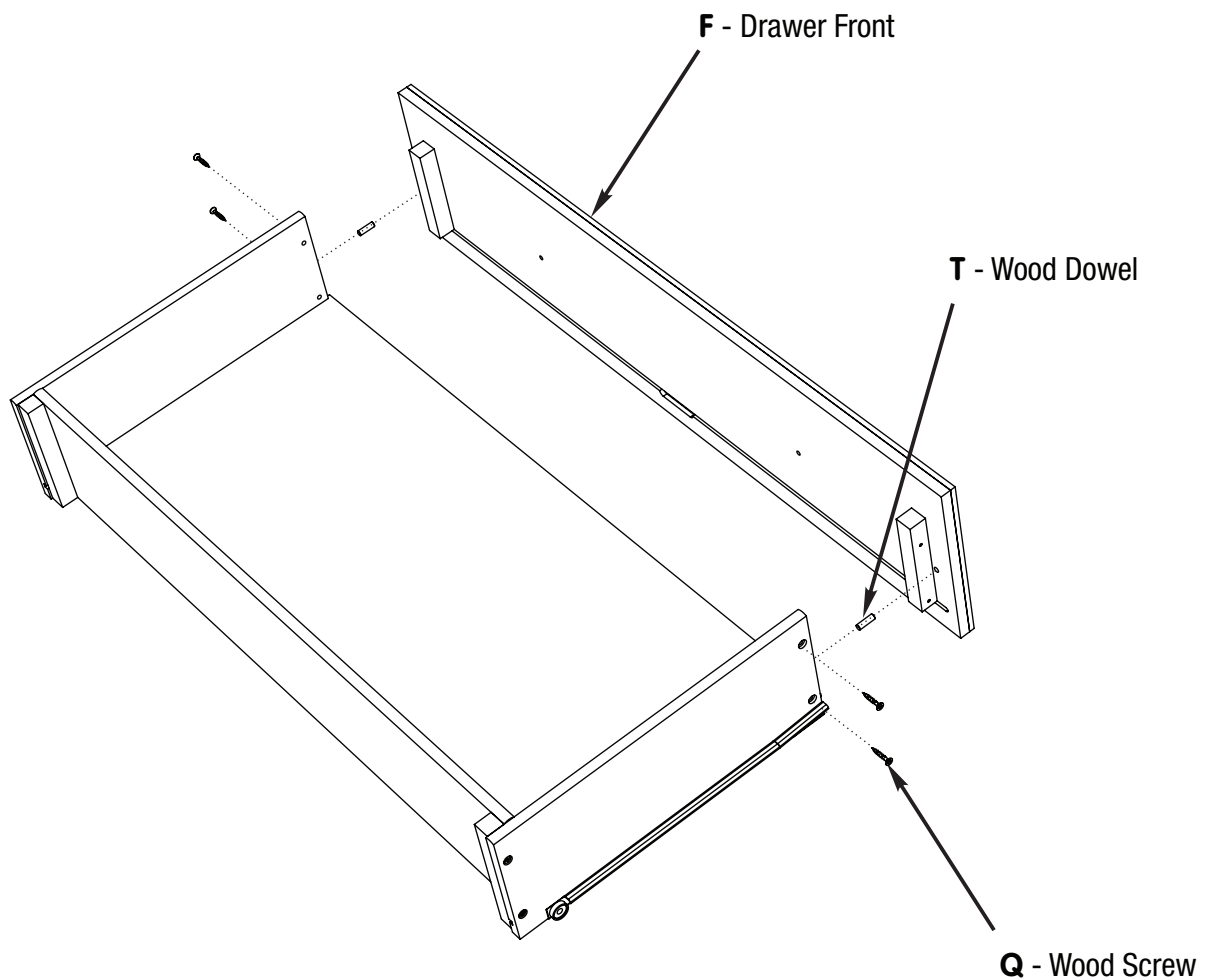
## Drawer Assembly Step 1:

- A. Insert a **Wood Dowel (T)** into the edge of the **Left Drawer Side (G)** and align with the **Drawer Back (J)**. Make sure the drawer glide faces out.
- B. Insert a **Wood Screw (Q)** into each hole and tighten with a screwdriver.
- C. Align the **Right Drawer Side (H)** with the other side. Make sure the drawer glide faces out.
- D. Insert a **Wood Screw (Q)** into each hole and tighten with a screwdriver.



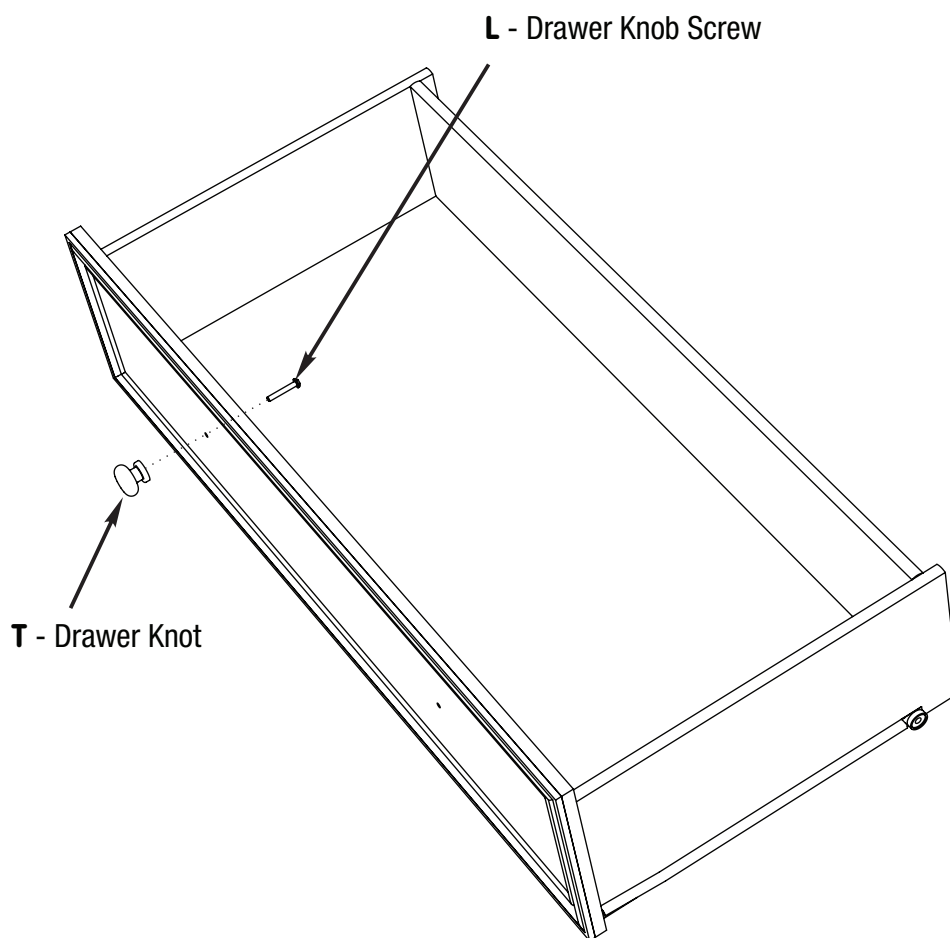
## Drawer Assembly Step 2:

- A. Slide the **Drawer Bottom (I)** into the grooves along the bottoms of the drawer sides.
- B. The drawer bottom should be completely secured in the groove of the drawer back.



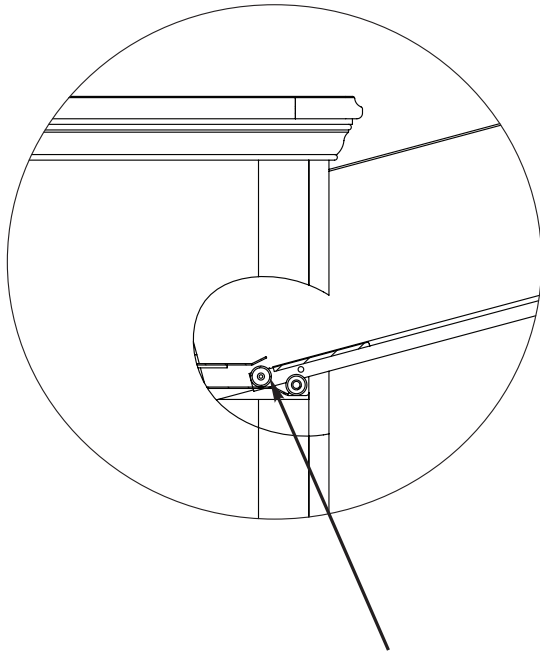
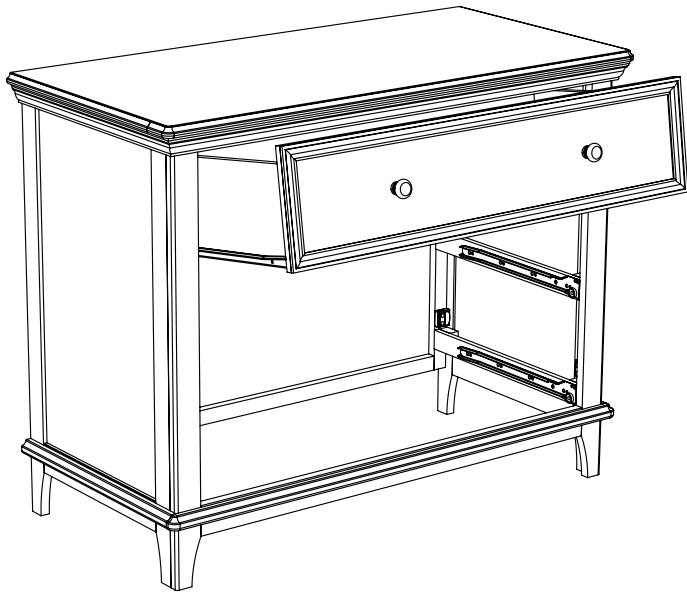
### Drawer Assembly Step 3:

- A. Insert a **Wood Dowel (T)** in the matching holes on the **Drawer Front (F)**, then align with the drawer sides and slide it into place, making sure the Drawer Bottom fits into the matching groove.
- B. Insert a **Wood Screw (Q)** into each hole and tighten with a screwdriver.



## Drawer Assembly Step 4:

- A. Align the **Drawer Knob (K)** with the holes in the Drawer Front and thread the **Drawer Knob Screw (L)** into the knob.
- B. Repeat for the other knob.
- C. Tighten the screws with a Phillips screwdriver.
- D. Repeat Drawer Assembly Steps 1-4 for the other two drawers.



Align rear wheel on drawer with drawer track.



## Step 6:

- A. Slide an assembled drawer into the tracks, tipping it up first to align the wheels with the runners. The drawers should open and close smoothly.
- B. Repeat for the other two drawers.
- C. A wall mounting kit is provided with your dresser. Please install it using the instructions included in the kit.